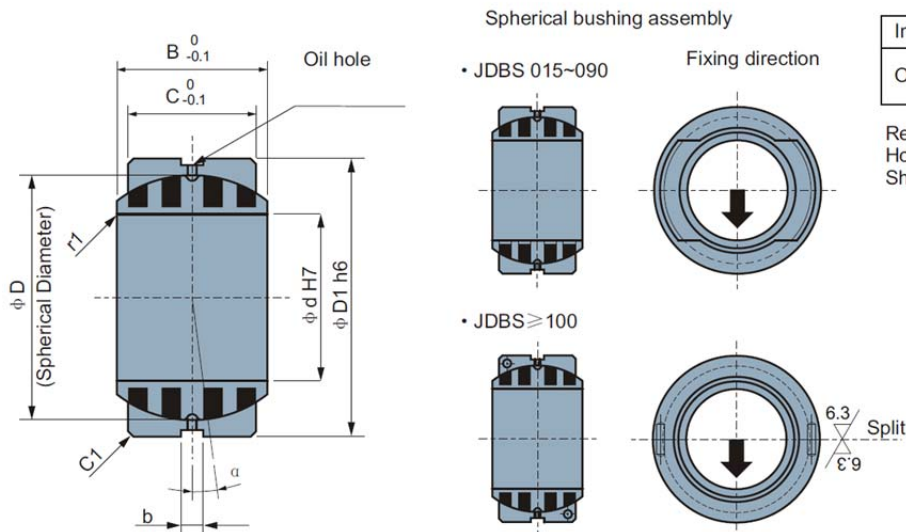
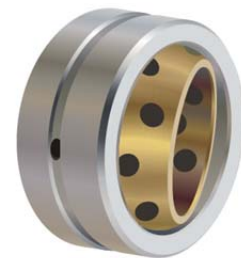


## MBW - Metric Spherical Bushes JDBS



Inner ring	Material	650# + Gr
Outer ring	Material	S45C
	Hardness	HRC25~30

Recommend shaft & housing:  
 Housing: H7  
 Shaft: g6



Standard No.	d	H7	D1	h6	B	C	D	b	Alignment Angle $\alpha^\circ$	Allowable Radial Load (kN)	Allowable Thrust Load (kN)
JDBS-015	15	$^{+0.018}_0$	26	$^{0}_{-0.013}$	12	9	22	4	8	6.5	0.5
JDBS-020	20	$^{+0.021}_0$	32	$^{0}_{-0.016}$	16	14	28		4	12.6	1.4
JDBS-025	25		42		21	18	36		5	21.8	2.5
JDBS-030	30	$^{+0.025}_0$	50	$^{0}_{-0.019}$	27	23	44		6	32.0	3.5
JDBS-035	35		55		30	26	49		5	43.7	4.8
JDBS-040	40		62		33	28	55		6	54.7	5.7
JDBS-045	45		72		36	31	62		5	69.7	7.2
JDBS-050	50	$^{+0.030}_0$	80	$^{0}_{-0.022}$	42	36	70		6	92.4	10
JDBS-060	60		100		53	45	90		6	143	16
JDBS-070	70		110		58	50	99		5	181	20
JDBS-080	80	$^{+0.035}_0$	130	$^{0}_{-0.025}$	70	60	115		254	30	
JDBS-090	90		140		76	65	125	6	313	36	
JDBS-100	100	$^{+0.040}_0$	160	$^{0}_{-0.029}$	88	75	145	6		544	64
JDBS-110	110		170		93	80	155		5	642	73
JDBS-120	120		190		105	90	170		6	797	94
JDBS-130	130		200		110	95	180		5	880	105
JDBS-140	140	$^{+0.046}_0$	210	$^{0}_{-0.032}$	90	70	180	6	7	668	56
JDBS-150	150		220		120	105	200		5	1135	129
JDBS-160	160		230		105	80	200		8	891	73
JDBS-180	180	$^{+0.052}_0$	260	$^{0}_{-0.036}$	105	80	225	9	6	1002	74
JDBS-200	200		290		130	100	250		7	1434	117
JDBS-220	220	$^{+0.046}_0$	320	$^{0}_{-0.036}$	135	100	275	8		1577	118
JDBS-240	240		340		140	100	300			1720	118
JDBS-260	260	$^{+0.052}_0$	370	$^{0}_{-0.040}$	150	110	325	9	7	2072	143
JDBS-280	280		400		155	120	350		6	2455	172
JDBS-300	300		430		165	120	375	7	2630	172	